

# SIMPLEX 55 GALLON GLYCOL FEED UNIT S-55-100-2-PEFS

Furnish and install according to plans and manufacturers' instructions, a complete prefabricated, automatic glycol feed makeup unit. Each unit shall consist of a steel frame base, polyethylene tank with hinged removable cover, low water cut-off alarm, brass rotary vane pump with built in suction strainer, Nema 4X control panel, brass suction and discharge piping, pump isolation valve, discharge check valve, pressure switch, pressure gauge, pressure relief valve, and interconnecting piping.

## Tank and Base Assembly

Tank shall be 55-gallon industrial grade polyethylene with graduated scale. Cover shall be hinged with a stainless-steel piano hinge. The base assembly shall be made of structural steel welded together and painted with a powder coat process for high durability.

## Pump

Pump shall be rotary vane close coupled type with brass housing and built in suction strainer. Pump motor is open drip proof type, 1/3 hp. 110v. 1ph. with built in auto reset thermal overload. Pump will be capable up to 2 GPM @100PSI.

## Control Panel

Electrical control panel assembly shall be Nema 4x UL/CUL 508A listed, labeled and rated at 110v, 1ph, 60Hz. Panel shall have an audible alarm for low water, H.O.A. selector switch and yellow pilot light for pump run, off-on selector switch and green pilot light for unit power, off-on selector switch and red pilot light for low water alarm, circuit breaker protection, motor rated starter relay, auxiliary contacts for alarm circuit and a 110v 1ph 9 ft. plug in power cord.

## Suction and Discharge Piping

Suction piping shall be brass with drain connection and plug. Suction isolation valve shall be a brass body gate. Discharge shall be brass with a brass body check valve, field adjustable pressure switch, pressure gauge, pressure relief valve and 1/2" N.P.T. male discharge pipe connection. Interconnecting piping to and from pump will be high pressure poly reinforced braided hose.

## Low Level Switch

Float switch shall be made of ABS plastic. The float will be tethered on the upper portion of the tank. Low tank level will deactivate all pumping operations and activate the low-level visual and audible alarm on the control panel.

## Standard System Settings

G.P.M. 2.0      SYSTEM PRESSURE: ON - 10 PSI / OFF - 40 PSI      PRESSURE RELIEF VALVE: 100 PSI

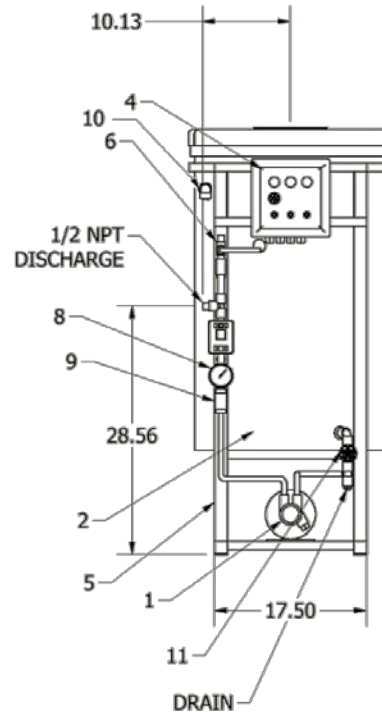
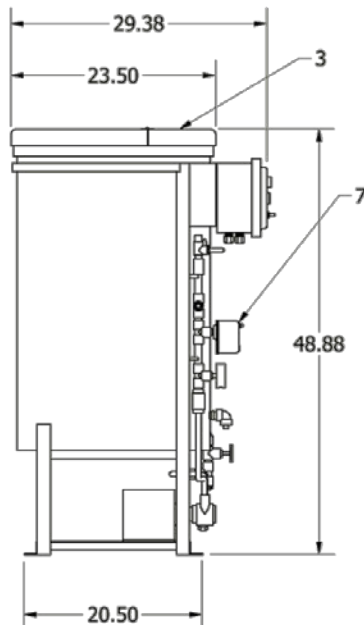
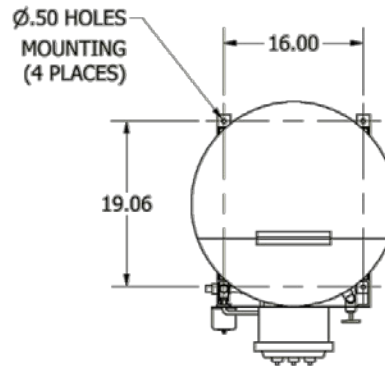
## Power Requirements

VOLTAGE: 110v / 1ph / 60Hz      F.L.A. 8.0 AMPS

## Options

- |  |  |
|--|--|
| <input type="checkbox"/> <b>ON/OFF - PSI</b><br>Special system pressure settings (ON- ____ PSI / OFF- ____ PSI)              | <input type="checkbox"/> <b>ET</b><br>Expansion tank, 2-gallon steel           |
| <input type="checkbox"/> <b>AMT</b><br>Timed mixing loop   | <input type="checkbox"/> <b>SET</b><br>Expansion tank 2-gallon stainless steel |
| <input type="checkbox"/> <b>HLA</b><br>High tank level alarm   | <input type="checkbox"/> <b>HFP</b><br>High flow pump (4.5 gpm @ 100 psi)      |
| <input type="checkbox"/> <b>ET-PRV</b><br>Pressure reducing valve with 2-gallon expansion tank (8 - 50 psi pressure setting) |  |

- 1 - PUMP MOTOR ASSEMBLY
- 2 - TANK POLYETHYLENE
- 3 - COVER POLYETHYLENE HINGED
- 4 - ELECTRICAL PANEL UL/CUL 508A
- 5 - BASE ASSEMBLY
- 6 - PRESSURE RELIEF VALVE
- 7 - PRESSURE SWITCH
- 8 - PRESSURE GAUGE
- 9 - CHECK VALVE
- 10 - FLOAT SWITCH
- 11 - SUCTION ISOLATION VALVE



<b>JOB NAME</b>	<b>CONTRACTOR</b>
<b>ORDER NO.</b>	<b>SUBMITTED BY</b> <span style="float: right;"><b>DATE</b></span>
<b>SALES REP.</b>	<b>APPROVED BY</b> <span style="float: right;"><b>DATE</b></span>
<b>ENGINEER</b>	<b>NOTES</b>
<b>LOCATION</b>	