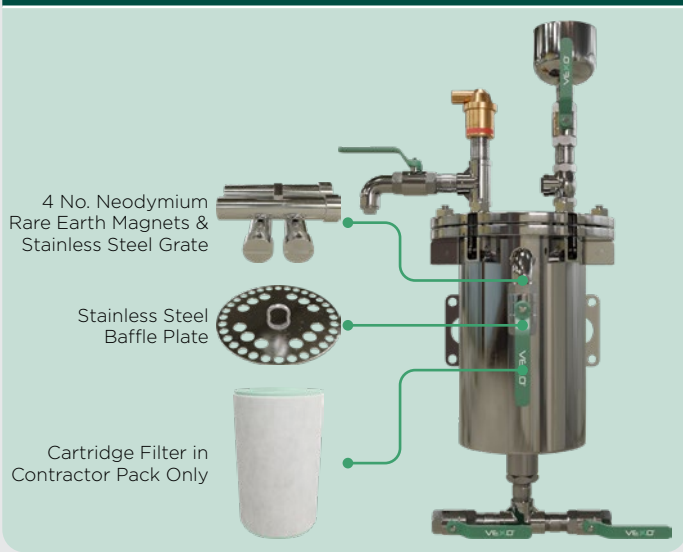


# VEXO X-POT Compact Data Sheet

Code	VEXO® Ref	Description
V-XPOTCOMPACT	X-POT Compact® Unit	VEXO® X-POT Compact® Side Stream Filtration & Dosing Unit
V-XCOMP(CONT)PACK	X-POT Compact® Contractor Pack	VEXO® X-POT Compact® Contractor Pack

Feature	Description
Maximum System Working Pressure	4 Bar
Suitable For System Volumes Up to	34,560 Litres
Flow Rate Through the Vessel	0.083L/sec to 0.4L/sec (4.98L/min to 24L/min)
Temperature Range	0°C to 95°C
Filtration Rate	Down to 0.5 Micron
Weight	<b>Dry:</b> 17KG - <b>Operational:</b> 23KG
Isolation Valve Connections	1/2" BSP Female
Dosing Capacity	4.5L
Filter Body Mounting	Wall or Floor Standing (Metal Framing Channel)
Vessel Body	304 Stainless Steel - complies with PED 2014/68/EU SEP
Baffle Plate	316 Stainless Steel
Magnet Grate	316 Stainless Steel
Magnets x 4No	Neodymium Rare Earth
Cartridge Filter x 1No	Polypropylene Spun Bonded Fibre
Isolation Valves, NRV and Fittings	304 Stainless Steel
AAV	Brass

### Crate Contents (Unit & Components)




4 No. Neodymium Rare Earth Magnets & Stainless Steel Grate

Stainless Steel Baffle Plate

Cartridge Filter in Contractor Pack Only

### Box Contents

Assembly & Operating Instructions are included

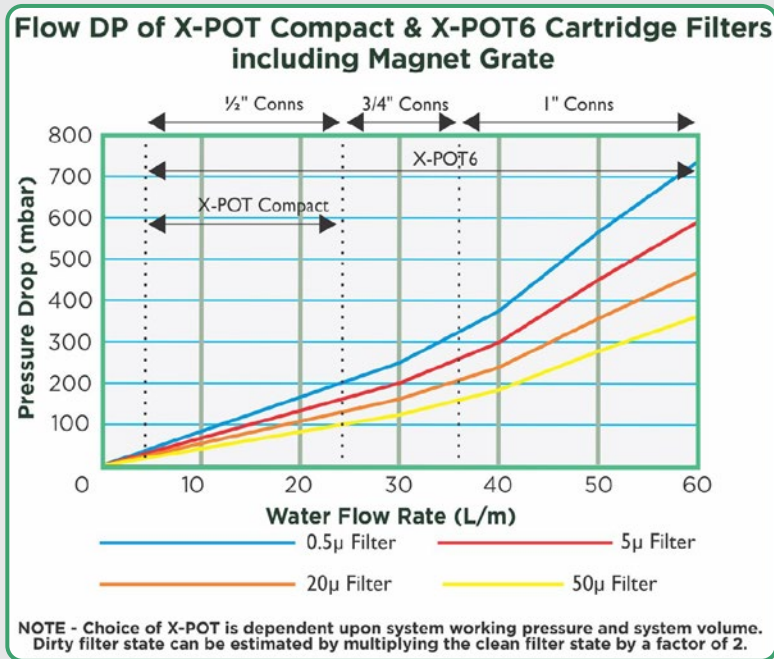


Insulation Jacket (2 Parts)

Auto Air Vent

1x 20 Micron Cartridge Filter

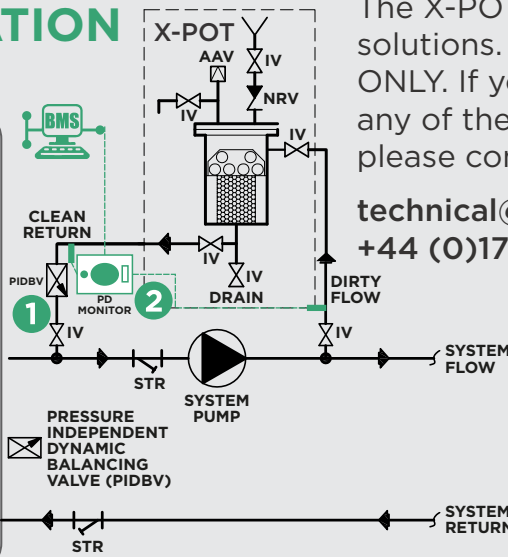
Feature	Benefits
<b>Compliance</b>	Engineered for BSRIA BG29 and BG50 Guidance for Chemical Dosing, Magnetic Filtration, Fine Filtration, Passive De-aeration and Side Stream Filtration.
<b>Magnetic filter</b>	Removes magnetic system debris, increases the lifespan of the boiler, chiller and cooling system components, reduces carbon emissions, increases fuel efficiency & increases the lifespan of the Cartridge Filter.
<b>Polypropylene Cartridge Filter</b>	Removes non-magnetic system debris, available in 50, 20, 5 & 0.5 micron filtration rates, ensures coalescence micro-bubble formation on the surface of the filter & surpasses BSRIA Guidance for filtration rates.
<b>Automatic Air Separator</b>	Ensures the system micro-bubbles and air are emitted from the system and helps to reduce corrosion rates and decreases stress on system components.
<b>4.5L Dosing Pot Capacity</b>	Enables installers and maintenance personnel to quickly dose the system with water treatment additives.
<b>Connections 1/2" BSP</b>	Suitable for all types of closed loop LTHW Heating and Cooling Water Systems up to 34,560 litres in volume.
<b>4No 8,500 Gauss Neodymium Magnets</b>	Each magnet is fully encased in 304SS shell, easily removable from the 316SS Magnet Grate for cleaning & fully submerged in the system flow for increased filtration.
<b>Installation Bracket</b>	Complete with backing plate for simple installation to wall or frame.
<b>Servicing</b>	The cleaning of the filters can simply be achieved without the need to shut the main system down and the dosing of water treatment chemicals is achieved simply and safely, again without the need to shut the system down.
<b>Enhanced Performance</b>	The ingenious design ensures that the filter will continue to perform should regular maintenance not be carried out.
<b>Stainless Steel Components</b>	All major components are manufactured from 304SS or 316SS for improved lifecycle and reliability.
<b>Full Bore Ball Valve isolation Valves</b>	The 304SS isolation valves do not restrict system flow & increases ease of installation.
<b>Bespoke Insulation Jacket</b>	Supplied as part of the Contractor Pack. The bespoke insulation jacket ensures heat losses are minimised.
<b>Warranty</b>	8 Year standard warranty.



# VEXO X-POT Simple Schematics

## INSTALLATION EXAMPLE

**24 Hours**  
System Volume



The X-POT provides a dumber of installation solutions. These examples are INDICATIVE ONLY. If your system cannot accommodate any of these scenarios due to complexity, please contact the **VEXO Technical Team:**

**technical@VEXOint.com**  
**+44 (0)1767 500 150**



### Which connections and X-POT?

The size of the connections to the X-POT is determined by the total system volume being circulated through the X-POT in a 24 Hour period.

**SYSTEM VOLUME = 1/sec**  
**86,400sec**

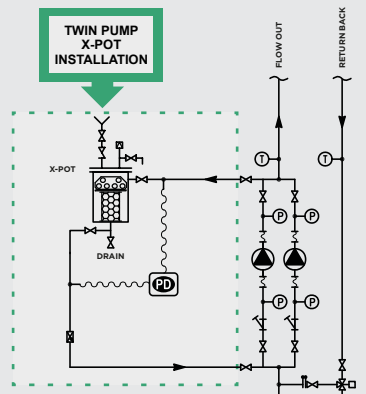
0.083 - 0.4 l/s = 1/2" Conn.  
0.4 - 0.6 l/s = 3/4" Conn.  
0.6 - 1.0 l/s = 1" Conn.  
1.0 - 1.2 l/s = 1 1/4" Conn.  
1.2 - 2.1 l/s = 1 1/2" Conn.  
2.1 - 3.5 l/s = 2" Conn.

### EXAMPLES

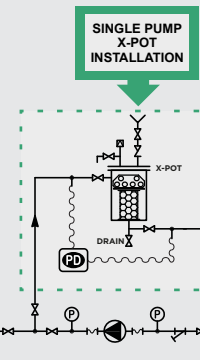
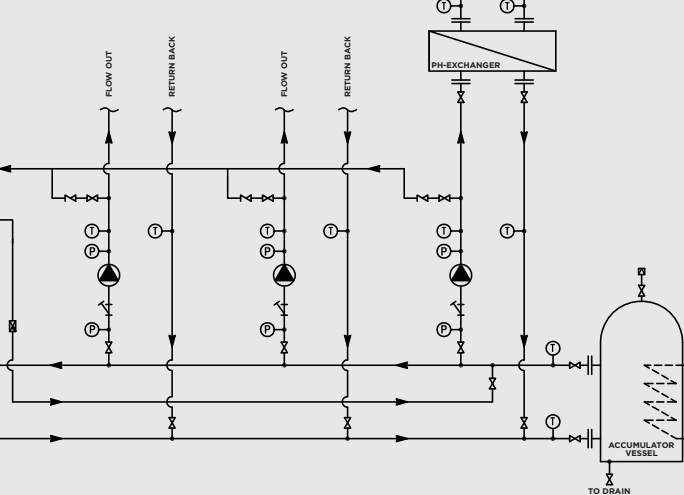
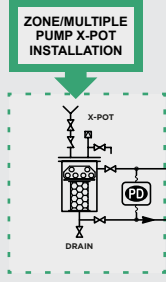
Working Pressure: 3 Bar  
System Volume 22,500L = 0.26l/s  
Chosen Vessel: X-POT Compact  
Connection Size: 1/2"

Working Pressure: 10 Bar  
System Volume 90,000L = 1.04l/s  
Chosen Vessel: X-POT XP  
Connection Size: 1 1/4"

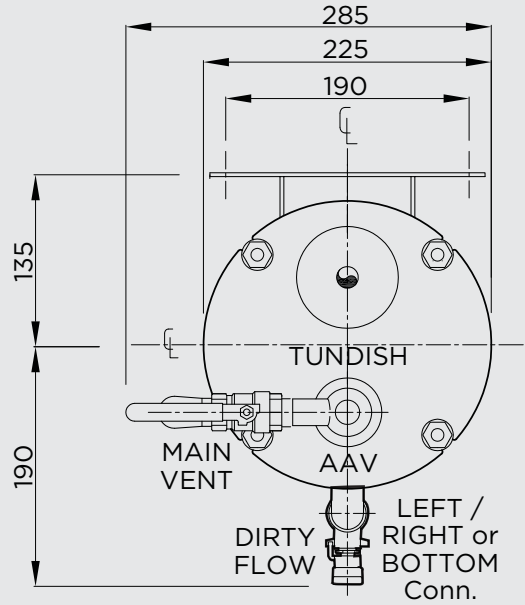
- ISOLATION VALVE
- NON RETURN VALVE
- STRAINER
- AUTO AIR VENT
- PRESSURE GAUGE
- TEMPERATURE GAUGE
- PRESSURE RELEASE VALVE
- FLEX CONNECTION
- PUMP
- VEXO™ PD-MONITOR
- PRESSURE INDEPENDENT DYNAMIC BALANCING VALVE
- COMMISSIONING VALVE
- 3 PORT VALVE



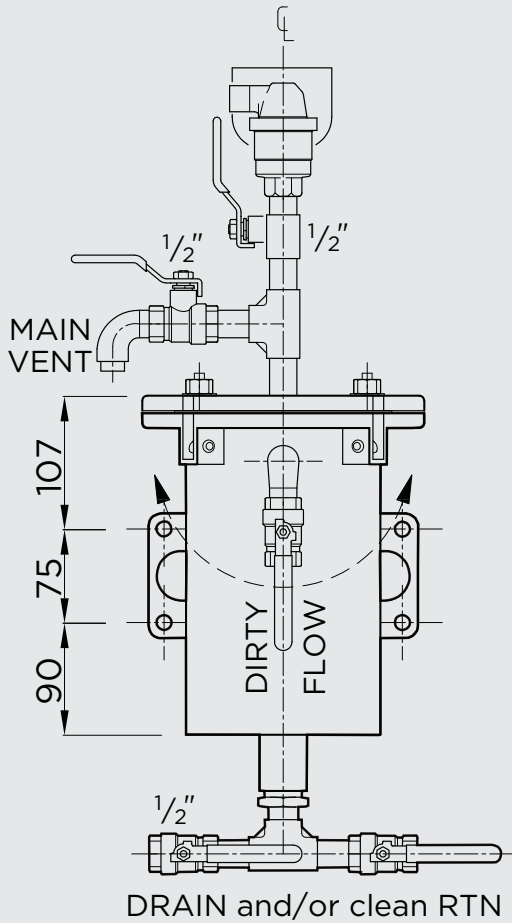
**THE X-POT® SHOULD BE FIT ON THE SECONDARY HEATING CIRCUIT TO ENSURE BULK WATER SYSTEM PROTECTION**



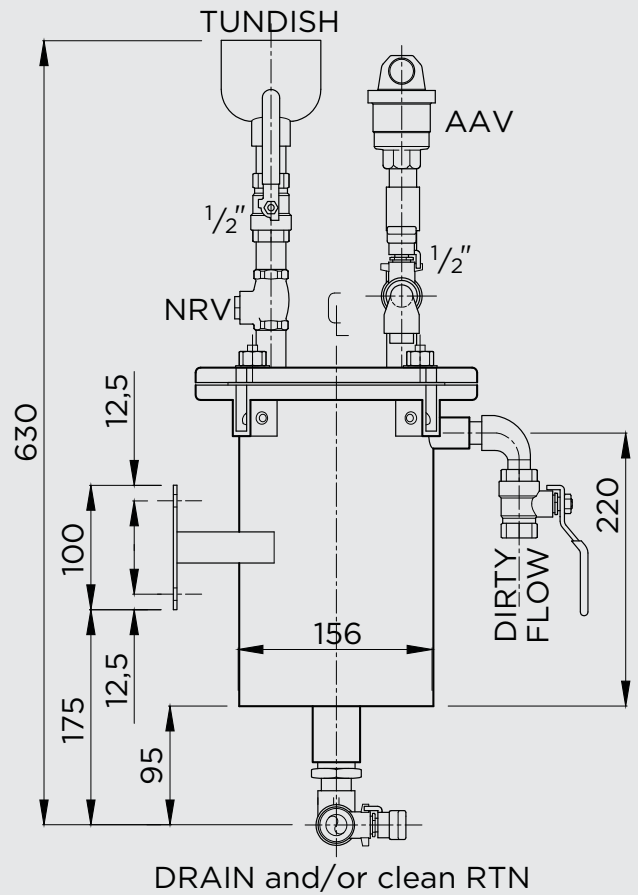
**VEXO X-POT Compact Dimensions**



**Plan View**



**Front View**



**Side View**

## VEXO X-POT Disposal Methods

Feature	Description
Vessel & Fittings	Recycle - Scrap metal
Baffle Plate	Recycle - Scrap metal
Magnets	Remove from metal grate & recycle separately
Plastic Wrap	Remove from unit & place in plastic recycling waste stream
AAV	Recycle - Scrap metal
Insulation Jacket	Place in general waste
Cartridge Filter	<p>Spent Cartridge Disposal - The spent filter cartridges should be disposed of in a responsible manner. The filter itself can be disposed of by incineration or as landfill by an authorised contractor; however, it is important for the user to check how the contaminant contained in the filter should be disposed of in accordance with local Health and Safety regulations. For UK filter users Veolia offers a 'Waste to Energy' disposal service. More information can be obtained at:</p> <p><a href="https://www.veolia.co.uk/about-us/veolia-uk/recycling-reuse-and-treatment-facilities/">https://www.veolia.co.uk/about-us/veolia-uk/recycling-reuse-and-treatment-facilities/</a></p>